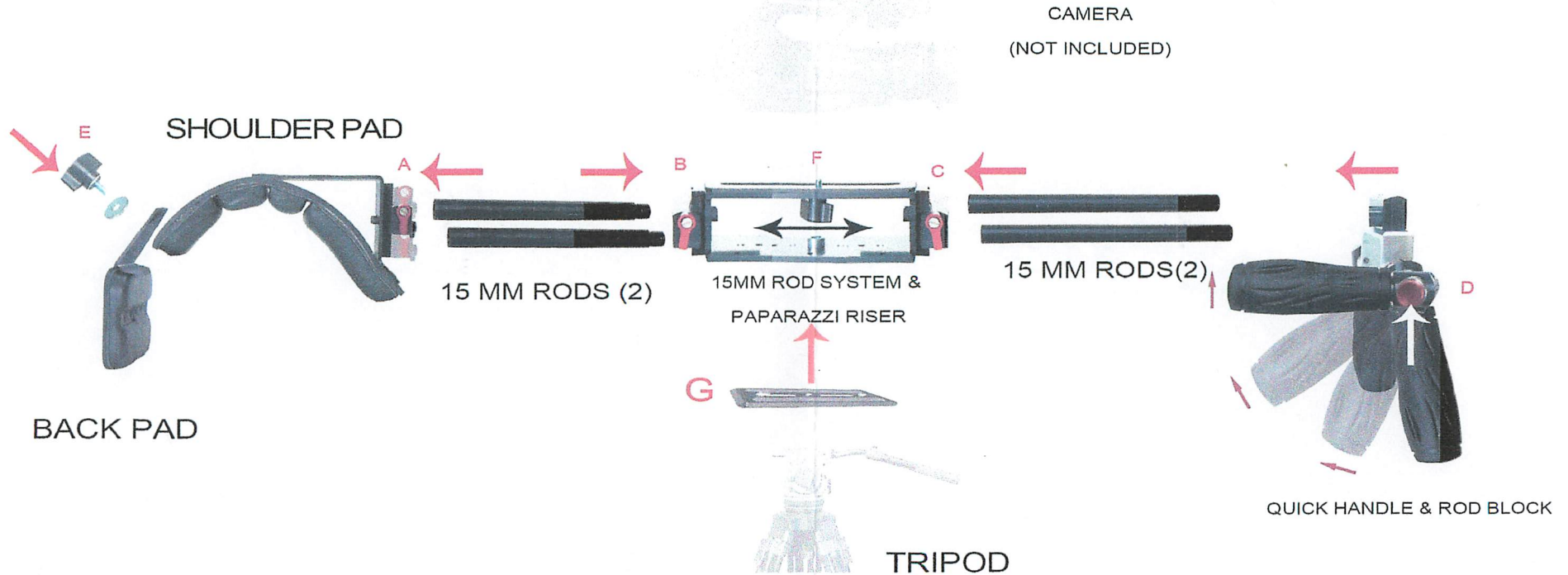


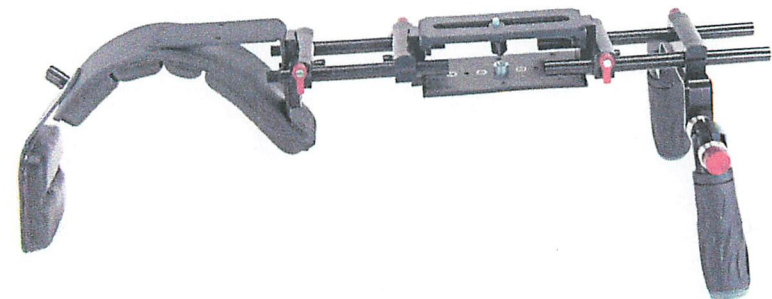
# ASSEMBLY PLAN

## COMPOSITE GRIP



### LEGEND

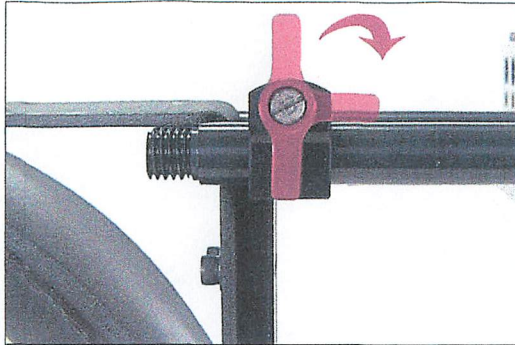
- A,B,C:** SLIDING ROD BLOCK WITH HEIGHT ADJUSTMENTS
- D:** BY THE PUSH OF A BUTTON, THE ANGLE OF THE HANDLES CAN BE CHANGED
- E:** SCREW KNOB FOR BACK PAD
- F:** SCREW KNOB FOR CAMERA ADJUSTEMENT WITH VARIABLE HORIZONTAL POSITION
- G:** A TRIPOD QUICK RELEASE PLATE (OPTIONAL) CAN BE SCREWED UNDERNEATH THE PAPERAZZI RISER



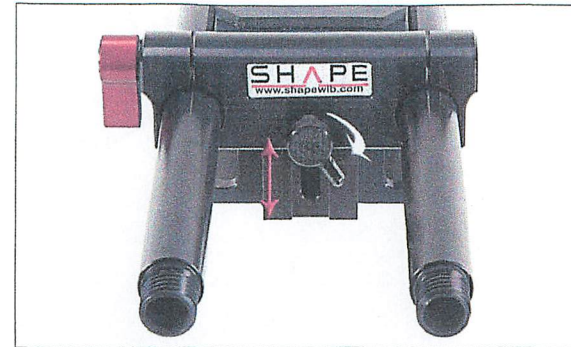
FINAL RESULT

# COMPOSITE TECHNOLOGY

## COMPOSITE GRIP



ADJUSTABLE KNOBS  
FOR ROD LENGTH



ADJUSTABLE KNOBS  
HEIGHT POSITION

